

# Saffire LX-P & Saffire EVO LZ-P

PRECISION 5100/5200 VON DUPRIN 22

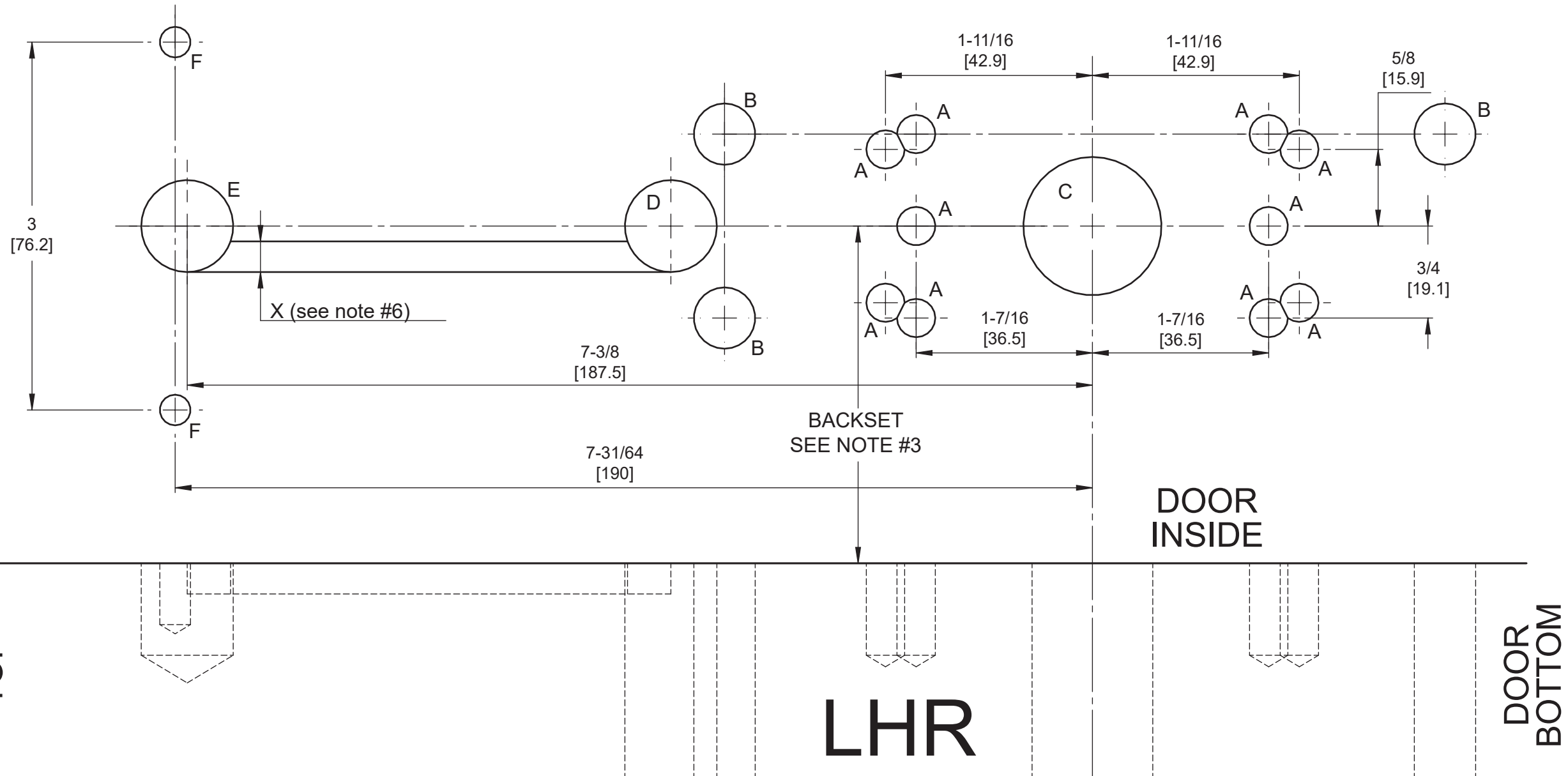
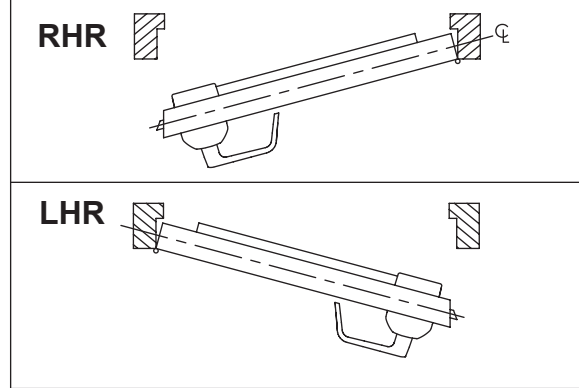
Drilling template

HOLE ID	DIM inch/[mm]	▽ inch/[mm]	COMMENTS
A	∅ 5/16 [7.95]	▽ 3/4 [19.05]	SEE NOTE #4
B	∅ 1/2 [12.7]	*	-
C	∅ 1-1/8 [28.6]	*	SEE NOTE #2
D	∅ 3/4 [19.05]	*	-
E	∅ 3/4 [19.05]	▽ 3/4 [19.05]	SEE NOTE #4
F	∅ 1/4 [6.35]	▽ 1/2 [12.7]	SEE NOTE #4
X	∅ 1/4 [6.35]	▽ 1/4 [6.35]	SEE NOTE #4, #6

\*UNLESS OTHERWISE NOTED,  
DRILL HALF DOOR THICKNESS ON BOTH SIDES.

**NOTES:**

- FOR DIMENSIONS AND TOLERANCES REFER TO CORRESPONDING DOOR PREPARATION DRAWING IP-516418-17.
- FOR EXIT DEVICE & MORTISE LOCK CUT-OUT REFER TO EXIT DEVICE MANUFACTURER INSTALLATION INSTRUCTIONS.
- BACKSET SHOWN FOR REFERENCE ONLY, ADJUST BACKSET TO EXIT DEVICE MANUFACTURER INSTALLATION INSTRUCTIONS.
- HOLES A, E, F & GROOVE X: FROM THE INSIDE OF THE DOOR, DRILL HOLES (SEE TABLE).
- SYMBOLS:
  - ▽ DEEP
  - ⊕ CENTERLINE OF DOOR
  - ∅ DIAMETER
- GROOVE TO BE DONE ONLY IN SOLID DOORS. TO PASS WIRES INSIDE THE DOOR FOR HOLLOW DOORS.
- ALL DIMENSIONS ARE IN INCHES [mm].



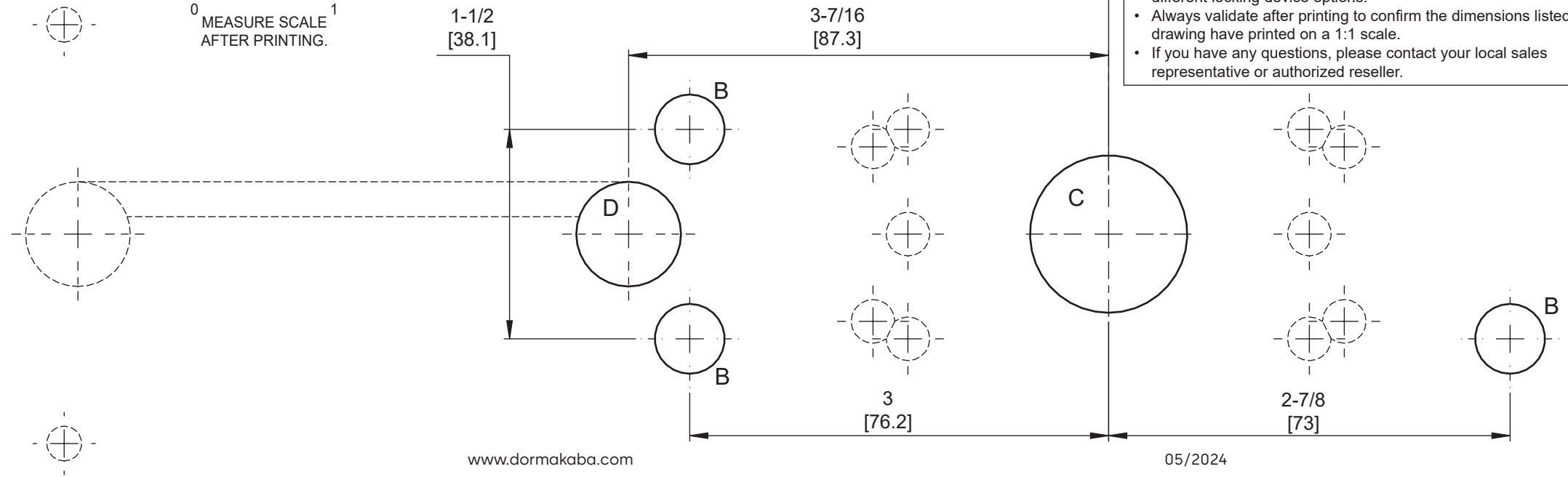
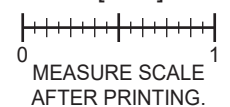
DOOR TOP

DOOR BOTTOM

LHR

TEMPLATE TO SCALE 1:1, FULL SIZE

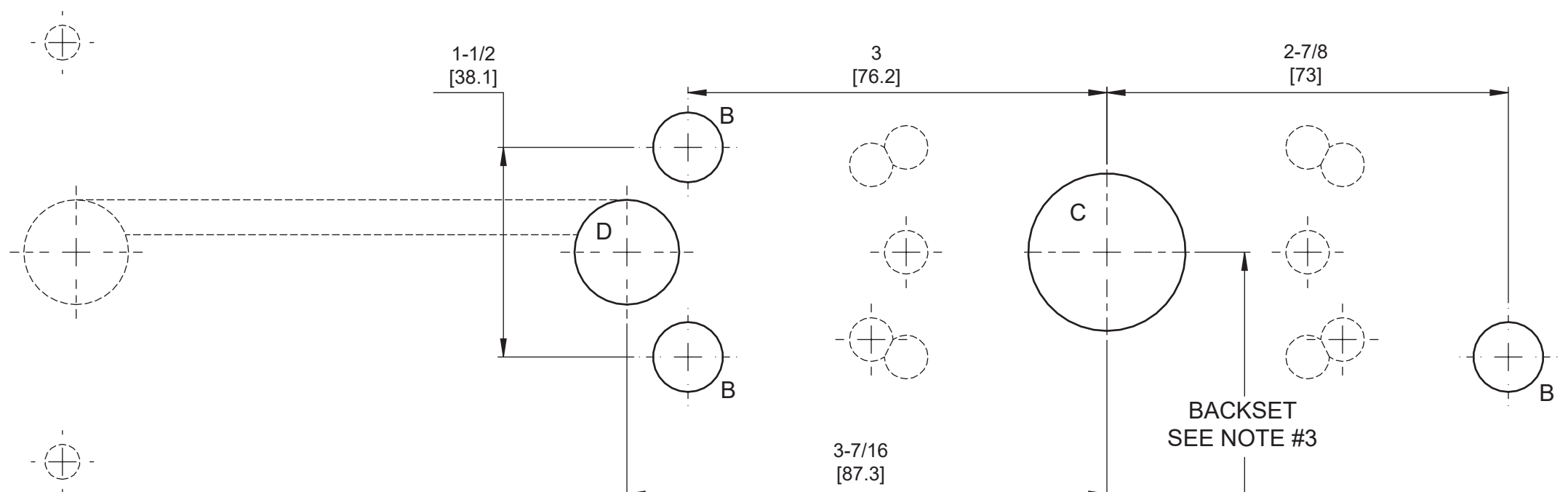
VERIFY EXACTLY  
1" [25.4].



DOOR OUTSIDE

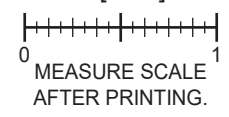
**WARNING**

- To verify lock coverage and door operation meets expectations, dormakaba strongly recommends completing a full door mockup. This will ensure that all necessary products and parts for a successful installation are included.
- Always validate that you have selected the correct template for specific lock model being installed. The same lock model can be offered with different locking device options.
- Always validate after printing to confirm the dimensions listed on the drawing have printed on a 1:1 scale.
- If you have any questions, please contact your local sales representative or authorized reseller.



TEMPLATE TO SCALE 1:1, FULL SIZE

VERIFY EXACTLY  
1" [25.4].



DOOR  
OUTSIDE

DOOR  
TOP

RHR

DOOR  
BOTTOM

DOOR  
INSIDE

